

CURVED LightPanel™ System

The **CURVED** LightPanel™ is designed to integrate organic shaped structures with a thin LED Panel profile starting at 1/4" to provide an ultra-slim sheet of curved light. Low power LEDs are integrated with an optical grade, thermoformed etched acrylic to provide evenly distributed lighting.

The **CURVED** LightPanel™ is a versatile light source that generates a soft glow with virtually no heat while adapting to curved designs. **Hospitality, Retail, Healthcare, Residential, Commercial Interior, Commercial Exterior, Accent Lighting, Cove Lighting, Millwork, Task Lighting, Custom Fixtures, Branding, Logos and Signage.**



General Specifications

LIGHT WEB TECHNOLOGY™:

3D etched patterns to evenly distribute light throughout the panel. Patterns available are GRID, DOT and MICRODOT™

ACRYLIC:

Optical Grade
Cell Cast
Diamond Polished Edges

THICKNESS:

1/4" to 1/2" Standard 12V

7/16" High Power 24V

*Thickness is determined by panel shape, size and color temperature.

LONG LIFE:

Over 50,000 hours = Nearly 12 years based on 12 hours a day. Once installed, the LightPanel™ System is virtually maintenance free.

WATTAGE:

2.2 W/Ft. - 12V / 24V Standard Power

4.4 W/ Ft. - 12V - High Power

6 W/ Ft. - 24V - High Power

*ask eos specialist for information on 4400k, RGB, RGBW and Color Tuning options on case by case basis.

POWER OUTPUT:

Standard 12VDC or 24VDC

INPUT VOLTAGE:

100V TO 480V

DIMMABLE:

The system is dimmable to <10% when matched with Dimmable Power Supplies
*hardwired MLV, 0-10V, or remote control plug in.

COMPATIBILITY:

USB Compatible.
* Max. Size 40" X 40"

LEDs:

ANSI Binned LEDs from Tier 1 Suppliers

LED CRI > 80

LED CRT - 2400K - 6500K

DAMP LOCATION:

Damp Location Rated when driven with a Class 2 Power Supply

TAPING:

Moisture Resistant Foil Backed Framing Tape on all sides.

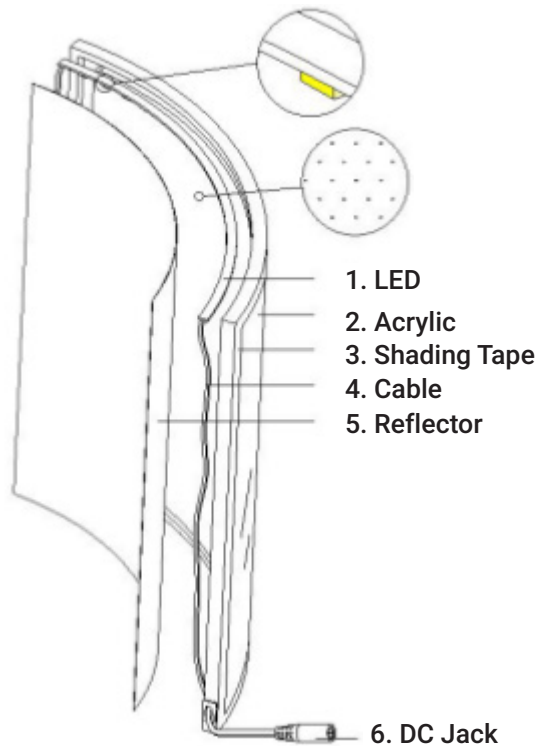
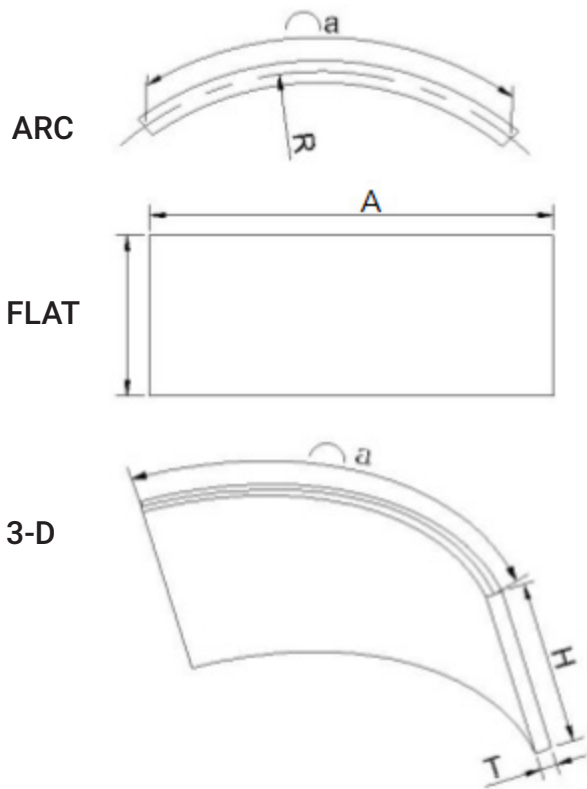
*See Optional Specifications for Seamless Applications

BACKING MATERIAL:

Industrial Mil Pearlescent Heat-Bonded Reflective Backing Material.

APPROVALS AND CERTIFICATIONS:

The LightPanel™ System is UL approved. All power supplies are UL / ETL listed.



GENERAL SIZES PROCESSING:

- a: After the hot bending, arc length to plate center as the base, less than A
- A: The length of the plate before bending, after bending " a"
- R: The radius of the hot bend, namely the radius of the finished product
- H: Product height
- T: Product thickness

Optional Specifications

ILLUMINATED FACES:

Single and Dual-Sided Illumination

TAPING OPTIONS:

Reflective Tape and Tapeless Options for applications that require a seamless design

COLOR TEMPERATURES:

- 2400K 4800K
- 2700K 5300K
- 3500K 6500K
- 4000K 7000K
- 4400K 7500K

ADDITIONAL FEATURES:

Standard 12V Power or 24V High Power depending on the application

COMPATIBLE POWER SUPPLIES:

- DMX-Compatible
- DALI Accessible
- Magnetic Low Voltage
- Remote Control In-Line Dimmer
- 0-10V Dimmable
- Electronic Static

APPROVALS AND CERTIFICATIONS:



Product Specification Ordering Form

NAME:	PROJECT NAME:	ADDRESS:
PHONE:	PROJECT LOCATION:	CITY:
EMAIL:	ANTICIPATED DELIVERY DATE:	ZIP CODE:
COMPANY NAME:	PROJECT ARCHITECT:	FREIGHT METHOD:

	A	B	C1	C2	D	E	F	G	H	I	J	K	L	M
QTY	PANEL TYPE	LED POWER	DIMENSIONS TOP SIDE		COLOR TEMP	PANEL THICKNESS	DIFFUSER	WATER-PROOF	LED SIDES	CORD COLOR	CORD LENGTH	UL RATING	CORD LOCATION	POWER SUPPLY
5	LP	SP-12V	48	50	2700	0.25	NO	YES	4SL	BC	ST	UL	TL	DHW

EXAMPLE:

A	-	B	-	C1	x	C2	-	E	-	F	-	G	-	H	-	I	-	J	-	K	-	L	-	M	SITE VOLTAGE:		
↓		↓		↓		↓		↓		↓		↓		↓		↓		↓		↓		↓		↓			
LP	-	SP-12V	-	108	x	60	-	0.25	-	NO	-	YES	-	4SL	-	BC	-	ST	-	UL	-	TL	-	DHW			

KEY:

A. PANEL TYPE

LP - BASIC LightPanel™

LF - FRAMED

LightPanel™ with C Channel 7/16"

LightPanel™ with J1 Channel 1/4"

LightPanel™ with J2 Channel 5/16"

LF - MEDIA FRAME

GRAPHIX LightPanel™ -3/4" x 3/4" Snap Frame

IMAGEART LightPanel™ -1 - 3/8" x 15/16" Snap Frame

IMAGEART -2 LightPanel™ with SF3 Snap Frame

WINDOW LightPanel™ with SF4 Snap Frame

ACRYLIC LightPanel™ with Acrylic Overlay Frame

MAGNETIC LightPanel™ with Magnetic Frame

FABRIK LightPanel™ with Fabric Light Box

SKY LightPanel™ with Suspended Frame

CP - CRYSTAL LightPanel™

CF - CRYSTAL LightPanel™ with C Channel 7/16"

B. LED POWER

SP-12V - 12V Standard Power

SP-24V - 24V Standard Power

HP-12V - 12V High Power

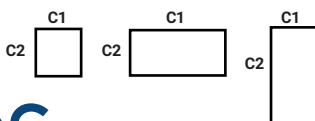
HP-24V - 24V High Power

C. DIMENSIONS (GENERATED BY CLIENT)

C1- Top Dimension

C2- Side Dimension

* For shapes indicated below, shapes that are not illustrated are considered custom and require CAD



D. COLOR TEMP

2400 - 2400K

2700 - 2700K

3500 - 3500K

4000 - 4000K

4400 - 4400K

4800 - 4800K

5300 - 5300K

6500 - 6500K

7500 UV - 7500K (Ultraviolet)

RGB - Color Changing

RGBW - Color Changing + White

CT- Color Tuning

E. PANEL THICKNESS

*Thickness is automatically determined by panel shape, size, color temperature, power output and application.

F. OPTIONAL 2MM DIFFUSION COVER

Y-Yes

N-No

G. WATERPROOF

Y-Yes

N-No

H. LED SIDES

1SL - One Side

2SL - Two Sides

3SL - Three Sides

4SL - Four Sides

I. POWER CORD COLOR

BC - Black

WC - White

J. POWER CORD LENGTH

ST - Standard -9.8 ft.

CT - Custom Length ____ ft.

K. UL RATING

UL - Architectural Lighting

UR - Signage

L. POWER CORD EXIT

TL - Top Left Corner

TR - Top Right Corner

STL - Side Top Left Corner

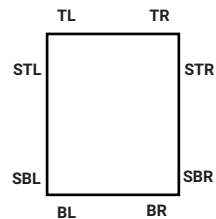
STR - Side Top Right Corner

BL - Bottom Left Corner

BR - Bottom Right Corner

SBL - Side Bottom Left Corner

SBR - Side Bottom Right Corner



M. POWER SUPPLY INFO

PI - Plug In, DC Jack

DPI - Dimmable Plug in w/ remote

HW - Hardwired, Bare

DHW - Dimmable Hardwired

REM - RGB Remote Control

DMX - DMX /DALI



LightPanel™ Systems