

IMAGEART MEDIA FRAME LightPanel™ System

The **IMAGEART MEDIA FRAME** LightPanel™ is a Snap Frame that accomadates large scale graphics, advertising and signage. Enlarged graphics are backlit by evenly distributed light using our Lightweb™ technology.

The **IMAGEART MEDIA FRAME** LightPanel™ may be used for a variety of applications that include:

Branding, Logos, Signage, Custom Fixtures, Custom Art Display, Hospitality, Retail, Healthcare, Residential, Bars , Restaurants and Commercial Interior.

General Features



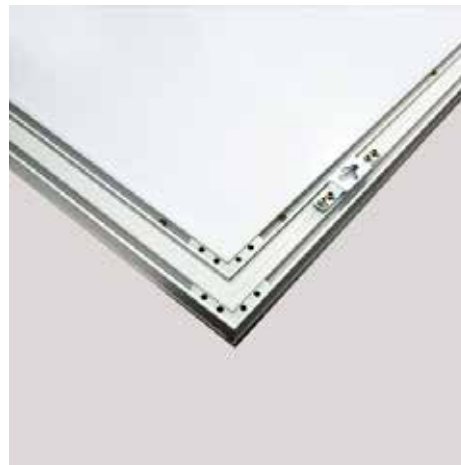
IMAGEART MEDIA FRAME FRONT CORNER



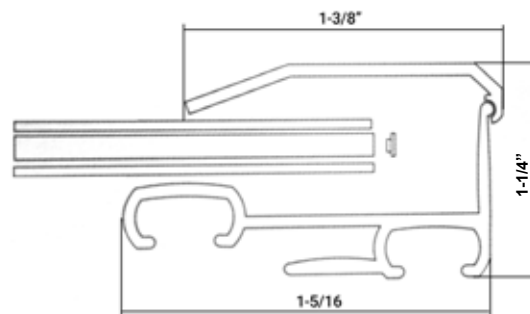
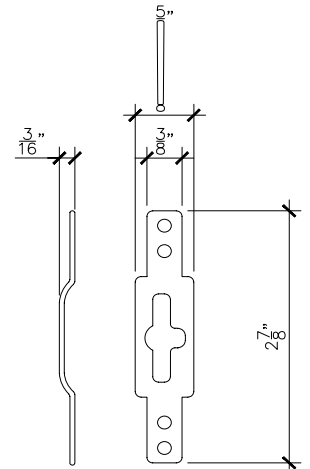
CLOSED IMAGEART MEDIA FRAME CORNER DETAIL

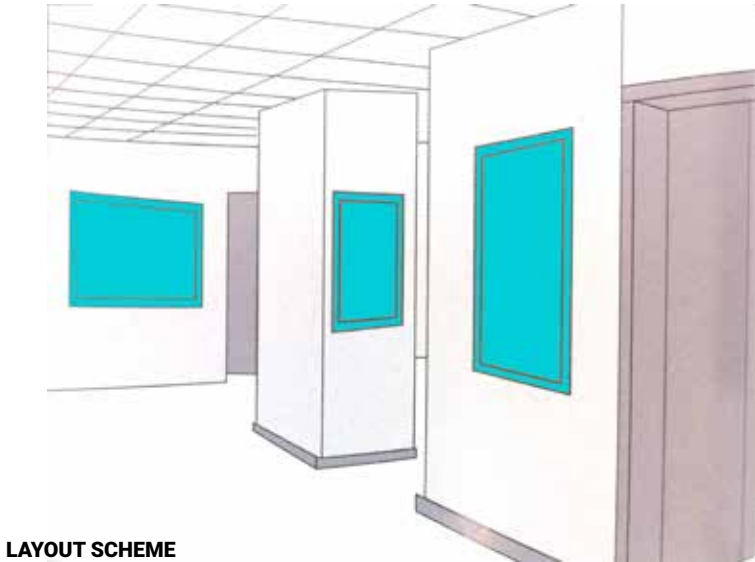
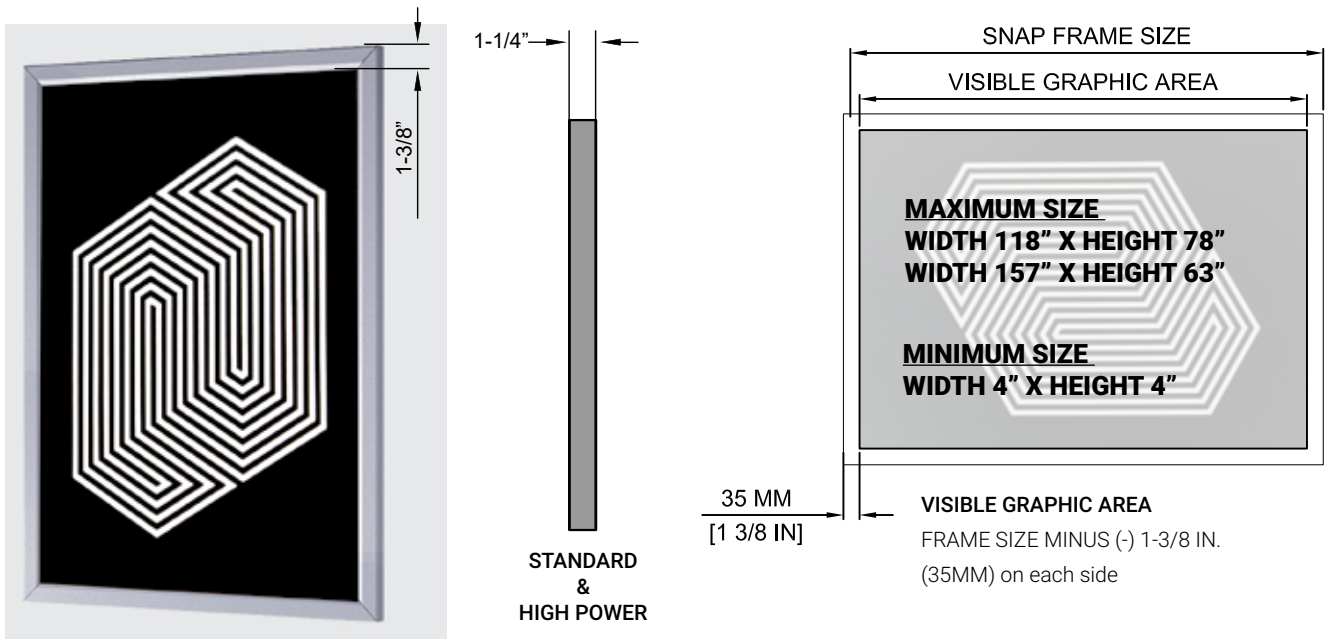


IMAGEART MEDIA FRAME BACK CORNER



IMAGEART MEDIA FRAME MOUNTING BRACKET

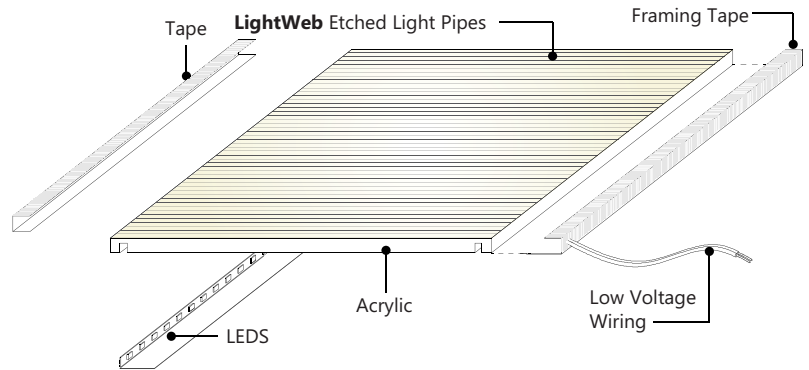




LAYOUT SCHEME

GRAPHIX MEDIA FRAME MAXIMUM AND MINIMUM SIZES

<p>MAXIMUM SIZE AND PROPORTIONS WIDTH 118" X HEIGHT 78"</p>	
<p>MINIMUM SIZE AND PROPORTIONS WIDTH 4" X HEIGHT 4"</p>	<p>MAXIMUM SIZE AND PROPORTIONS WIDTH 157" X HEIGHT 63"</p>



General Specifications (LightPanel™ Only)

LIGHT WEB TECHNOLOGY™:

3D etched patterns to evenly distribute light throughout the panel. Patterns available are GRID, DOT and MICRODOT™

MAXIMUM SIZE:

The maximum size is determined by the frame size
78" x 39" / 157" x 23"

MINIMUM SIZE:

4" X 4"

THICKNESS:

1/4" to 7/16"

*Thickness is determined by panel shape

LONG LIFE:

Over 50,000 hours = Nearly 12 years based on 12 hours a day. Once installed, the LightPanel™ System is virtually maintenance free.

WATTAGE:

4.3 W/Ft. - 12V / 24V Standard Power
5 W/ Ft. - 24V - High Power

*ask eos specialist for information on 4400k, RGB, RGBW and Color Tuning options.

POWER OUTPUT:

12VDC or 24VDC Standard and High Power

INPUT VOLTAGE:

100V TO 480V

DIMMABLE:

The system is dimmable to <10% when matched with Dimmable Power Supplies

*hardwired MLV, 0-10V, or remote control plug in.

LEDs:

ANSI Binned LEDs from Tier 1 Suppliers

LED CRI > 80

LED CRT - 2400K - 6500K

DAMP LOCATION:

All panels are damp Location Rated when driven with a Class 2 Power Supply

HOSPITAL AND MRI SAFE:

The system contains non ferrous materials, making the LightPanel™ safe for MRI suites. The LightPanel™ Power supply must be installed remotely, up to 30 feet from the application.

APPROVALS AND CERTIFICATIONS:

The LightPanel™ System is UL approved. All power supplies are UL / ETL listed.



Optional Specifications

COLOR TEMPERATURES:

2400K	4800K
2700K	5300K
3500K	6500K
4000K	7500K UV (Ultraviolet)
4400K	RGB, RGBW and Color Tuning

Product Specification Ordering Form

NAME:	PROJECT NAME:	ADDRESS:
-------	---------------	----------

PHONE:	PROJECT LOCATION:	CITY:
--------	-------------------	-------

EMAIL:	ANTICIPATED DELIVERY DATE:	ZIP CODE:
--------	----------------------------	-----------

COMPANY NAME:	PROJECT ARCHITECT:	FREIGHT METHOD:
---------------	--------------------	-----------------

	A	B	C1	C2	D	E	F	G	H	I	J	K	L	M
QTY	PANEL TYPE	LED POWER	DIMENSIONS (INCHES) TOP SIDE		COLOR TEMP	DIFFUSER	WATER-PROOF	LED SIDES	CORD COLOR	CORD LENGTH	UL RATING	CORD LOCATION	POWER SUPPLY	IF CURVED PANEL SPECIFY RADIUS (INCHES)
5	LP	SP-12V	48	50	2700	NO	YES	4SL	BC	ST	UL	TL	DHW	20

EXAMPLE:

A	-	B	-	C1	x	C2	-	D	-	E	-	F	-	G	-	H	-	I	-	J	-	K	-	L	-	M	SITE VOLTAGE:
↓		↓		↓		↓		↓		↓		↓		↓		↓		↓		↓		↓		↓		↓	
LP	-	SP-12V	-	108	x	60	-	2700	-	NO	-	YES	-	4SL	-	BC	-	ST	-	UL	-	TL	-	DHW	-	20	

KEY:

A. PANEL TYPE

- LP - BASIC** LightPanel™
- LF - FRAMED**
LightPanel™ with C Channel 7/16"
LightPanel™ with J1 Channel 1/4"
LightPanel™ with J2 Channel 5/16"
- LF - MEDIA FRAME**
GRAPHIX LightPanel™ -3/4" x 3/4"
SLIM IMAGEART LightPanel™ -1 - 3/8" x 15/16"
IMAGEART LightPanel™ -1 - 3/8" x 1 - 1/4"
WINDOW LightPanel™ with Square Profile
ACRYLIC LightPanel™ with Clear Acrylic Frame
MAGNETIC LightPanel™ with Magnetic Frame
FABRIK LightPanel™ eos Fabric Light Box
SKY LightPanel™ - Suspended Frame
- CP - CRYSTAL** LightPanel™
- CF - CRYSTAL** LightPanel™ with C Channel 7/16"

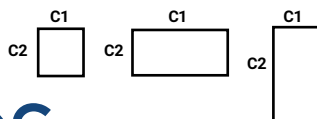
B. LED POWER

- SP-12V** - 12V Standard Power
- SP-24V** - 24V Standard Power
- HP-12V** - 12V High Power
- HP-24V** - 24V High Power

C. DIMENSIONS (GENERATED BY CLIENT)

- C1**- Top Dimension
- C2**- Side Dimension

* For shapes indicated below, shapes that are not illustrated are considered custom and require CAD



D. COLOR TEMP

- 2400** - 2400K
- 2700** - 2700K
- 3000** - 3000K
- 3500** - 3500K
- 4000** - 4000K
- 4400** - 4400K
- 4800** - 4800K
- 5300** - 5300K
- 6500** - 6500K
- 7500** - 7500K
- UV** - Ultraviolet
- RGB** - Color Changing
- RGBW** - Color Changing + White
- CT**- Color Tuning

E. OPTIONAL 2MM DIFFUSION COVER

- Y**-Yes
- N**-No

F. WATERPROOF

- Y**-Yes
- N**-No

G. LED SIDES

- 1SL** - One Side
- 2SL** - Two Sides
- 3SL** - Three Sides
- 4SL** - Four Sides

H. POWER CORD COLOR

- BC** - Black
- WC** - White

I. POWER CORD LENGTH

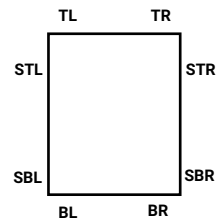
- ST** - Standard -9.8 ft.
- CT** - Custom Length ____ ft.

J. UL RATING

- UL** - Architectural Lighting
- UR** - Signage

K. POWER CORD EXIT

- TL** - Top Left Corner
- TR** - Top Right Corner
- STL** - Side Top Left Corner
- STR** - Side Top Right Corner
- BL** - Bottom Left Corner
- BR** - Bottom Right Corner
- SBL** - Side Bottom Left Corner
- SBR** - Side Bottom Right Corner



L. POWER SUPPLY INFO

- PI** - Plug In, DC Jack
- DPI** - Dimmable Plug in w/ remote
- HW** - Hardwired, Bare
- DHW** - Dimmable Hardwired
- REM** - RGB Remote Control
- DMX** - DMX /DALI
- 0-10V** - 0-10V Dimmable Hardwire
- MAG** - Magnetic Dimmable Hardwire

M. CURVED LightPanel™ Radius

*Indicate Radius in inches

