



CURVED LightPanel™ System

The **CURVED** LightPanel™ is designed to integrate organic shaped structures with a thin LED Panel profile starting at 1/4" to provide an ultra-slim sheet of curved light. Low power LEDs are integrated with an optical grade, thermoformed etched acrylic to provide evenly distributed lighting.

The **CURVED** LightPanel™ is a versatile light source that generates a soft glow with virtually no heat while adapting to curved designs.

Hospitality, Retail, Healthcare, Residential, Commercial Interior, Commercial Exterior, Accent Lighting, Cove Lighting, Millwork, Task Lighting, Custom Fixtures, Branding, Logos and Signage.



General Specifications

LIGHT WEB TECHNOLOGY™:

3D etched patterns to evenly distribute light throughout the panel. Patterns available are GRID, DOT and MICRODOT™

THICKNESS:

1/4" to 1/2" Standard 12V

7/16" High Power 24V

*Thickness is determined by panel shape, size and color temperature.

MAX SIZE:

118" X 78" (9'-10" X 6'-6")

LONG LIFE:

Over 50,000 hours = Nearly 12 years based on 12 hours a day. Once installed, the LightPanel™ System is virtually maintenance free.

WATTAGE:

2.8 W/Ft. -12V Standard Power

*ask eos specialist for information on 4400k, RGB, RGBW and Color Tuning options on case by case basis.

POWER OUTPUT:

Standard 12VDC

INPUT VOLTAGE:

100V TO 480V

DIMMABLE:

The system is dimmable to <10% when matched with Dimmable Power Supplies
*hardwired MLV, 0-10V, or remote control plug in.

LEDs:

ANSI Binned LEDs from Tier 1 Suppliers

LED CRI > 80

LED CRT - 2400K - 6500K

DAMP LOCATION:

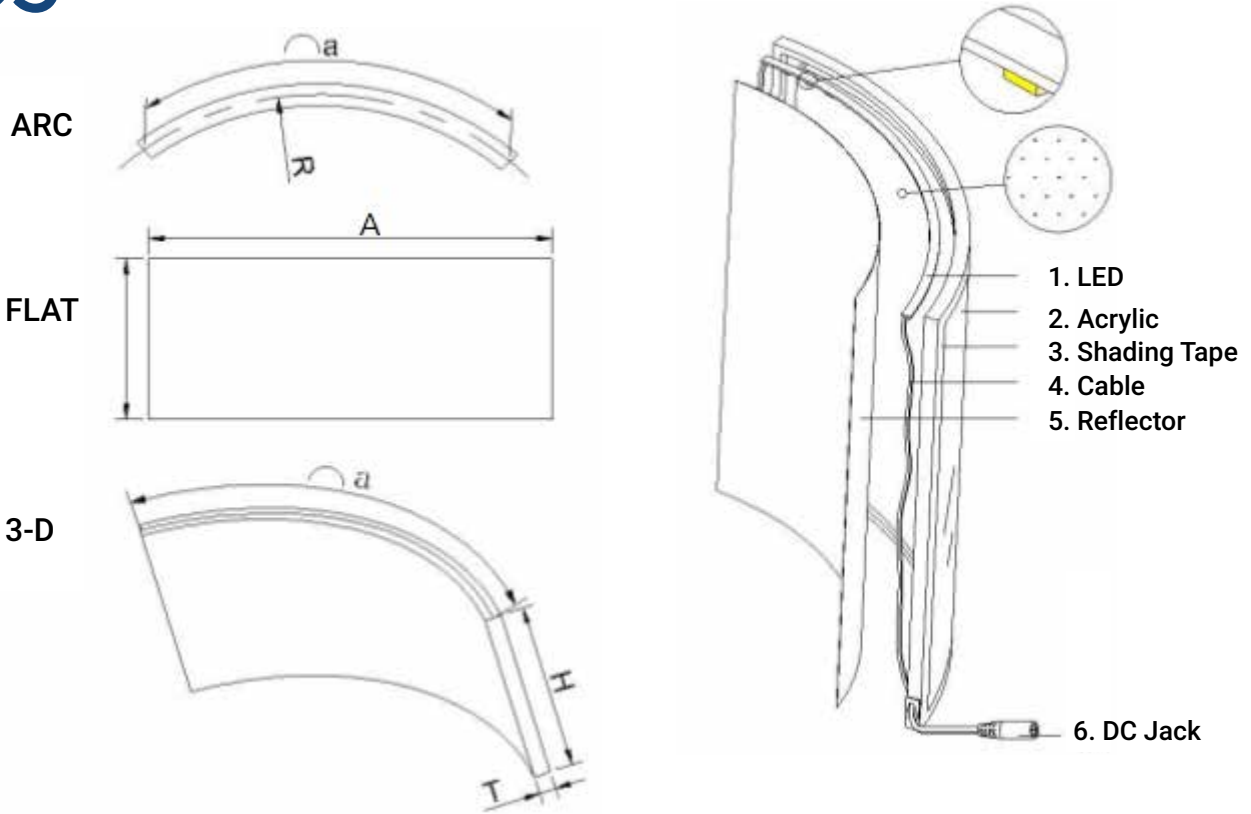
Curved Panels *are not* available in Waterproof (IP50)

HOSPITAL AND MRI SAFE:

The system contains non ferrous materials, making the LightPanel™ safe for MRI suites. The LightPanel™ Power supply must be installed remotely, up to 30 feet from the application.

BACKING MATERIAL:

Industrial Mil Pearlescent Heat-Bonded Reflective Backing Material.



GENERAL SIZES PROCESSING:

- a: After the hot bending, arc length to plate center as the base, less than A
- A: The length of the plate before bending, after bending "a"
- R: The radius of the hot bend, namely the radius of the finished product
- H: Product height
- T: Product thickness

Optional Specifications

ILLUMINATED FACES:

Single and Dual-Sided Illumination

TAPING OPTIONS:

Reflective Tape and Tapeless Options for applications that require a seamless design

COLOR TEMPERATURES:

- 2400K 4800K
- 2700K 5300K
- 3000K 6500K
- 3500K 7500K
- 4000K UV (Ultraviolet)
- 4400K RGB, RGBW and Color Tuning

DIFFUSER OPTIONS:

PET FILM

ADDITIONAL FEATURES:

Standard 12V Power or 24V High Power depending on the application.

COMPATIBLE POWER SUPPLIES:

- DMX-Compatible
- DALI Accessible
- Magnetic Low Voltage
- Remote Control In-Line Dimmer
- 0-10V Dimmable
- Electronic Static

APPROVALS AND CERTIFICATIONS:

The LightPanel™ System is UL listed for Architectural applications and UL recognized for signage. All power supplies are UL / ETL listed.





Product Specification Ordering Form

NAME:	PROJECT NAME:	ADDRESS:
PHONE:	PROJECT LOCATION:	CITY:
EMAIL:	ANTICIPATED DELIVERY DATE:	ZIP CODE:
COMPANY NAME:	PROJECT ARCHITECT:	FREIGHT METHOD:

	A	B	C1	C2	D	E	F	G	H	I	J	K	L	M
QTY	PANEL TYPE	LED POWER	DIMENSIONS (INCHES) TOP SIDE		COLOR TEMP	DIFFUSER	WATER-PROOF	LED SIDES	CORD COLOR	CORD LENGTH	UL RATING	CORD LOCATION	POWER SUPPLY	IF CURVED PANEL SPECIFY RADIUS (INCHES)
5	LP	SP-12V	48	50	2700	NO	YES	4SL	BC	ST	UL	TL	DHW	20

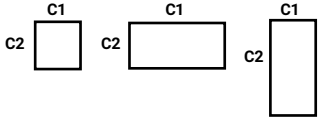
EXAMPLE:

A	-	B	-	C1	x	C2	-	D	-	E	-	F	-	G	-	H	-	I	-	J	-	K	-	L	-	M	SITE VOLTAGE:	
↓		↓		↓		↓		↓		↓		↓		↓		↓		↓		↓		↓		↓		↓		
LP	-	SP-12V	-	108	x	60	-	2700	-	NO	-	YES	-	4SL	-	BC	-	ST	-	UL	-	TL	-	DHW	-	20		

KEY:

- A. PANEL TYPE**
LP - BASIC LightPanel™ (use for CURVED Panel as well)
LF - FRAMED
 LightPanel™ with C Channel 7/16"
 LightPanel™ with J1 Channel 1/4"
 LightPanel™ with J2 Channel 5/16"
LF - MEDIA FRAME
 GRAPHIX LightPanel™ -3/4" x 3/4"
 SLIM IMAGEART LightPanel™ -1 - 3/8" x 15/16"
 IMAGEART LightPanel™ -1 - 3/8" x 1 - 1/4"
 WINDOW LightPanel™ with Square Profile
 ACRYLIC LightPanel™ with Clear Acrylic Frame
 MAGNETIC LightPanel™ with Magnetic Frame
 FABRIK LightPanel™ eos Fabric Light Box
 SKY LightPanel™ - Suspended Frame
CP - CRYSTAL LightPanel™
CF - CRYSTAL LightPanel™ with C Channel 7/16"
- B. LED POWER**
SP-12V - 12V Standard Power
SP-24V - 24V Standard Power
HP-12V - 12V High Power
HP-24V - 24V High Power

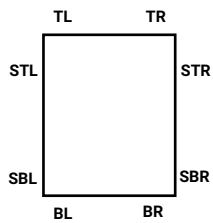
- C. DIMENSIONS (GENERATED BY CLIENT)**
C1 - Top Dimension
C2 - Side Dimension
 * For shapes indicated below, shapes that are not illustrated are considered custom and require CAD



- D. COLOR TEMP**
2400 - 2400K
2700 - 2700K
3000 - 3000K
3500 - 3500K
4000 - 4000K
4400 - 4400K
4800 - 4800K
5300 - 5300K
6500 - 6500K
7500 - 7500K
UV - Ultraviolet
RGB - Color Changing
RGBW - Color Changing + White
CT - Color Tuning
- E. OPTIONAL 2MM DIFFUSION COVER**
Y-Yes
N-No
- F. WATERPROOF**
Y-Yes
N-No

- G. LED SIDES**
1SL - One Side
2SL - Two Sides
3SL - Three Sides
4SL - Four Sides

- H. POWER CORD COLOR**
BC - Black
WC - White
- I. POWER CORD LENGTH**
ST - Standard -9.8 ft.
CT - Custom Length ____ ft.
- J. UL RATING**
UL - Architectural Lighting
UR - Signage
- K. POWER CORD EXIT**
TL - Top Left Corner
TR - Top Right Corner
STL - Side Top Left Corner
STR - Side Top Right Corner
BL - Bottom Left Corner
BR - Bottom Right Corner
SBL - Side Bottom Left Corner
SBR - Side Bottom Right Corner
- L. POWER SUPPLY INFO**
PI - Plug In, DC Jack
DPI - Dimmable Plug in w/ remote
HW - Hardwired, Bare
DHW - Dimmable Hardwired
REM - RGB Remote Control
DMX - DMX /DALI
0-10V - 0-10V Dimmable Hardwire
MAG - Magnetic Dimmable Hardwire



- M. CURVED LightPanel™ Radius**
 *Indicate Radius in inches