



CURVED LightPanel™ System

The **CURVED** LightPanel™ is designed to integrate organic shaped structures with a thin LED Panel profile starting at 1/4" to provide an ultra-slim sheet of curved light. Low power LEDs are integrated with an optical grade, thermoformed etched acrylic to provide evenly distributed lighting.

The **CURVED** LightPanel™ is a versatile light source that generates a soft glow with virtually no heat while adapting to curved designs.

Hospitality, Retail, Healthcare, Residential, Commercial Interior, Commercial Exterior, Accent Lighting, Cove Lighting, Millwork, Task Lighting, Custom Fixtures, Branding, Logos and Signage.



General Specifications

LIGHT WEB TECHNOLOGY™:

3D etched patterns to evenly distribute light throughout the panel. Patterns available are GRID, DOT and MICRODOT™

THICKNESS:

1/4" to 1/2" Standard 12V

7/16" High Power 24V

*Thickness is determined by panel shape, size and color temperature.

MAX SIZE:

118" X 78" (9'-10" X 6'-6")

LONG LIFE:

Over 50,000 hours = Nearly 12 years based on 12 hours a day. Once installed, the LightPanel™ System is virtually maintenance free.

WATTAGE:

2.8 W/Ft . -12V Standard Power

*ask eos specialist for information on 4400k, RGB, RGBW and Color Tuning options on case by case basis.

POWER OUTPUT:

Standard 12VDC

INPUT VOLTAGE:

100V TO 480V

DIMMABLE:

The system is dimmable to <10% when matched with Dimmable Power Supplies

LEDs:

ANSI Binned LEDs from Tier 1 Suppliers

LED CRI > 80

LED CRT - 2400K - 6500K

DAMP LOCATION:

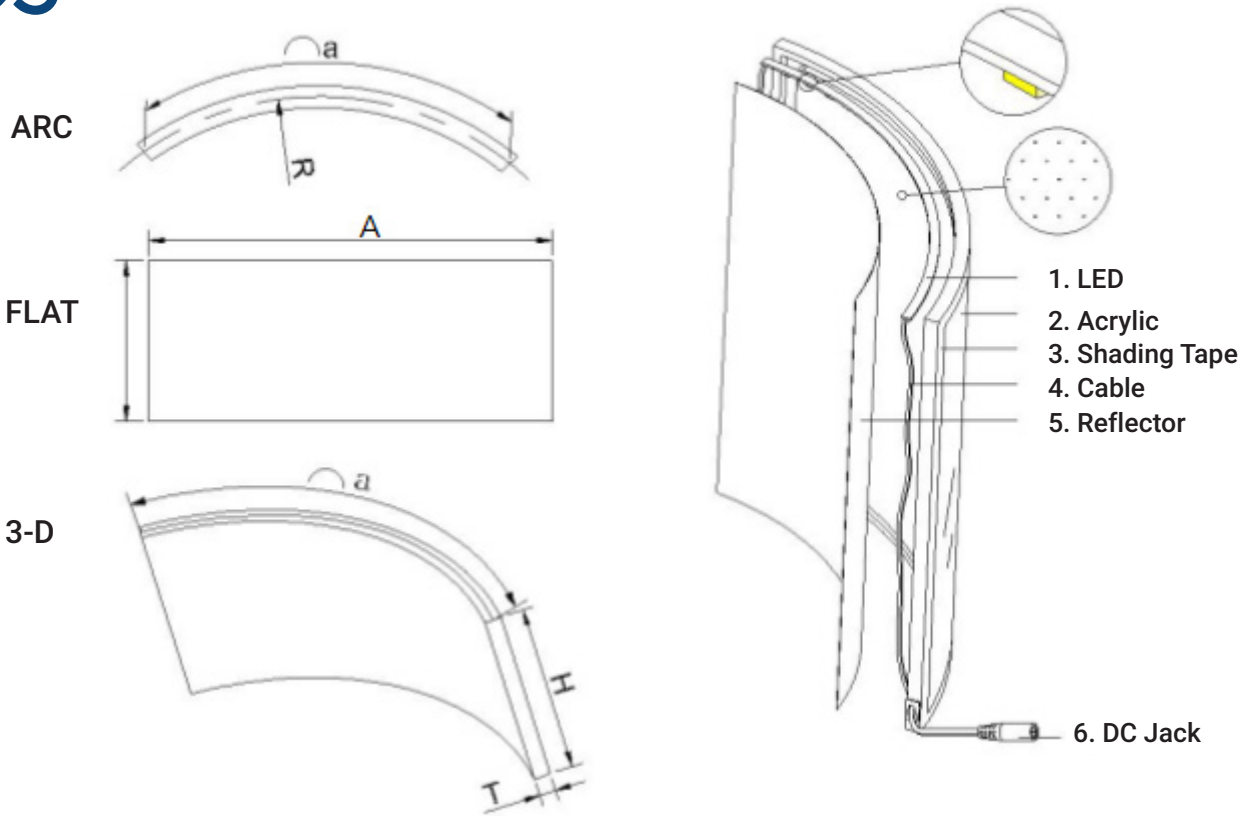
Curved Panels *are not* available in Waterproof (IP50)

HOSPITAL AND MRI SAFE:

The system contains non ferrous materials, making the LightPanel™ safe for MRI suites. The LightPanel™ Power supply must be installed remotely, up to 30 feet from the application.

BACKING MATERIAL:

Industrial Mil Pearlescent Heat-Bonded Reflective Backing Material.



GENERAL SIZES PROCESSING:

- a: After the hot bending, arc length to plate center as the base, less than A
- A: The length of the plate before bending, after bending " a"
- R: The radius of the hot bend, namely the radius of the finished product
- H: Product height
- T: Product thickness

Optional Specifications

ILLUMINATED FACES:

Single and Dual-Sided Illumination

TAPING OPTIONS:

Reflective Tape and Tapeless Options for applications that require a seamless design

COLOR TEMPERATURES:

- 2400K 4800K
- 2700K 5300K
- 3000K 6500K
- 3500K 7500K
- 4000K UV (Ultraviolet)
- 4400K RGB, RGBW and Color Tuning

DIFFUSER OPTIONS:

PET FILM

ADDITIONAL FEATURES:

Standard 12V Power or 24V High Power depending on the application.

COMPATIBLE POWER SUPPLIES:

- DMX-Compatible
- DALI Compatible
- Phase Dimming
- 0-10V Dimmable
- Non dimmable

APPROVALS AND CERTIFICATIONS:

The LightPanel™ System is UL listed for Architectural applications and UL recognized for signage.
All power supplies are UL / ETL listed.

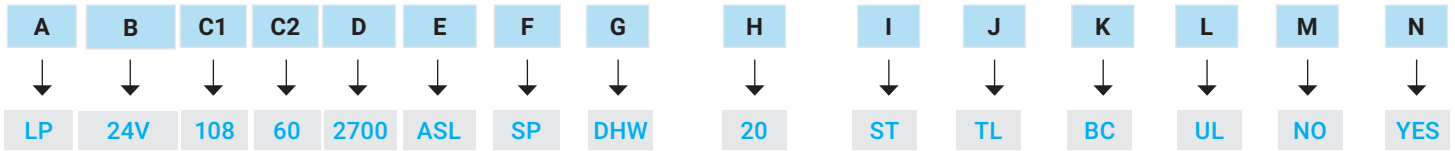




Product Specification Ordering Form

NAME:			PROJECT NAME:			ADDRESS:		
PHONE:			PROJECT LOCATION:			CITY:		
EMAIL:			ANTICIPATED DELIVERY DATE:			ZIP CODE:		
COMPANY NAME:			PROJECT ARCHITECT:			FREIGHT METHOD:		

	A	B	C1	C2	D	E	F	G	H	I	J	K	L	M	N
QTY	PANEL TYPE	VOLTAGE	DIMENSIONS (INCHES) TOP SIDE		COLOR TEMP	LED SIDES	LED POWER	POWER SUPPLY	IF CURVED PANEL SPECIFY RADIUS (INCHES)	CORD LENGTH	CORD LOCATION	CORD COLOR	UL RATING	DIFFUSER	WATER-PROOF
5	LP	24V	48	50	2700	ASL	SP	DHW	20	ST	TL	BC	UL	NO	YES



PLEASE FILL OUT THE FORM ON THE PREVIOUS PAGE USING THIS KEY AND SAMPLE ABOVE

KEY:

A. PANEL TYPE

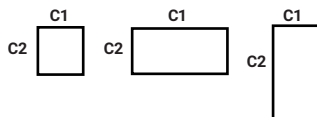
- LP - BASIC** LightPanel™ (use for CURVED Panel as well)
- LF - FRAMED**
LightPanel™ with C Channel 7/16"
LightPanel™ with J1 Channel 1/4"
LightPanel™ with J2 Channel 5/16"
- LF - MEDIA FRAME**
GRAPHIX LightPanel™ -3/4" x 3/4"
SLIM IMAGEART LightPanel™ -1 - 3/8" x 15/16"
IMAGEART LightPanel™ -1 - 3/8" x 1- 1/4"
WINDOW LightPanel™ with Square Profile
ACRYLIC LightPanel™ with Clear Acrylic Frame
MAGNETIC LightPanel™ with Magnetic Frame
FABRIK LightPanel™ eos Fabric Light Box
SKY LightPanel™ - Suspended Frame
- CP - CRYSTAL** LightPanel™
- CF - CRYSTAL** LightPanel™ with C Channel 7/16"

B. VOLTAGE

- 12V** - 12V
- 24V** - 24V

C. DIMENSIONS (GENERATED BY CLIENT)

- C1-** Top Dimension
- C2-** Side Dimension
- * For shapes indicated below, shapes that are not illustrated are considered custom and require CAD



D. COLOR TEMP

- 2400** - 2400K
- 2700** - 2700K
- 3000** - 3000K
- 3500** - 3500K
- 4000** - 4000K
- 4400** - 4400K
- 4800** - 4800K
- 5300** - 5300K
- 6500** - 6500K
- 7500** - 7500K
- UV** - Ultraviolet
- RGB** - Color Changing
- RGBW** - Color Changing + White
- CT-** Color Tuning

E. LED SIDES

- 1SL** - One Side
- 2SL** - Two Sides
- 3SL** - Three Sides
- 4SL** - Four Sides

F. LED POWER

- SP-** Standard Power
- HP-** High Power

G. POWER SUPPLY INFO

- PI** - Plug In, DC Jack
- DPI** - Dimmable Plug in w/ remote
- HW** - Hardwired, Bare
- DHW** - Dimmable Hardwired
- REM** - RGB Remote Control
- DMX** - DMX /DALI
- 0-10V** - 0-10V Dimmable Hardwire
- MAG** - Magnetic Dimmable Hardwire

H. CURVED LightPanel™ Radius

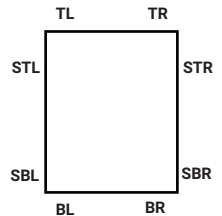
*Indicate Radius in inches

I. POWER CORD LENGTH

- ST** - Standard -9.8 ft.
- CT** - Custom Length ____ ft.

J. POWER CORD EXIT

- TL** - Top Left Corner
- TR** - Top Right Corner
- STL** - Side Top Left Corner
- STR** - Side Top Right Corner
- BL** - Bottom Left Corner
- BR** - Bottom Right Corner
- SBL** - Side Bottom Left Corner
- SBR** - Side Bottom Right Corner



K. POWER CORD COLOR

- BC** - Black
- WC** - White

L. UL RATING

- UL** - Architectural Lighting
- UR** - Signage

M. OPTIONAL 2MM DIFFUSION COVER

- Y**-Yes
- N**-No

N. WATERPROOF

- Y**-Yes
- N**-No